

EL[®]MARK

The Brand of Electricity

GLOBE 250 GARDEN

FIXTURES



GENERAL INFORMATION »

- ∴ Rated voltage: 230V/ 50-60Hz
- ∴ Lamp holder: E27
- ∴ Colour: Black
- ∴ Lantern body: Resin with clear glass
- ∴ Lamp not included
- ∴ UV resistant
- ∴ Insulation class II
- ∴ Protection rating: IP55

FEATURES »

- ∴ PMMA globe, complete with classic globe base
- ∴ Made of shockproof resin material
- ∴ UV-rays stabilized, rust and corrosion-free. Suitable for post top, hanging and wall installation.

AREAS OF APPLICATION »

- ∴ Suitable for outdoor use
- ∴ Gardens
- ∴ Parks

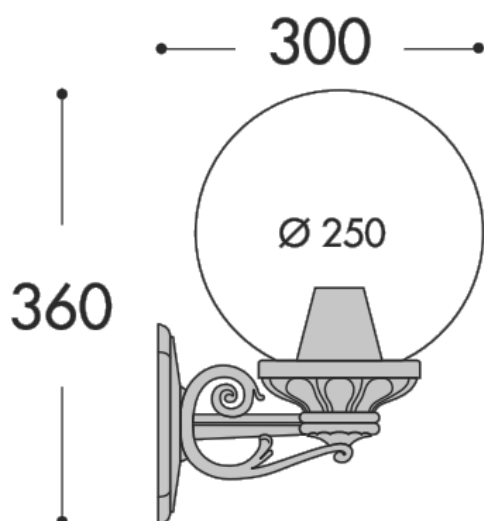
TECHNICAL SPECIFICATION SHEET

[PRODUCT DETAILS »](#)

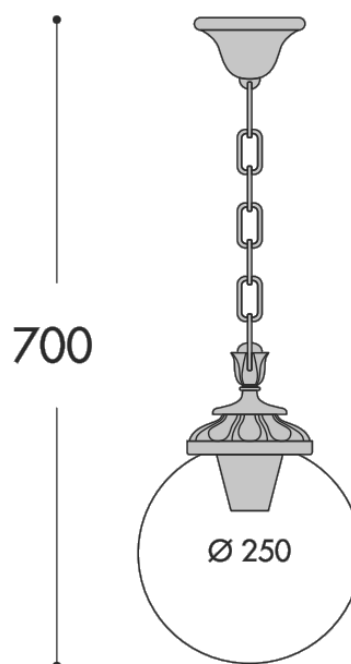
| Catalogue number | Description | Colour | Lampholder |
|------------------|--------------|--------|------------|
| 96G250WL/BL | Wall lamp | Black | 1xE27 |
| 96G250MF/BL | Floor lamp | Black | 1xE27 |
| 96G250P/BL | Hanging lamp | Black | 1xE27 |

[DIMENSIONS »](#)

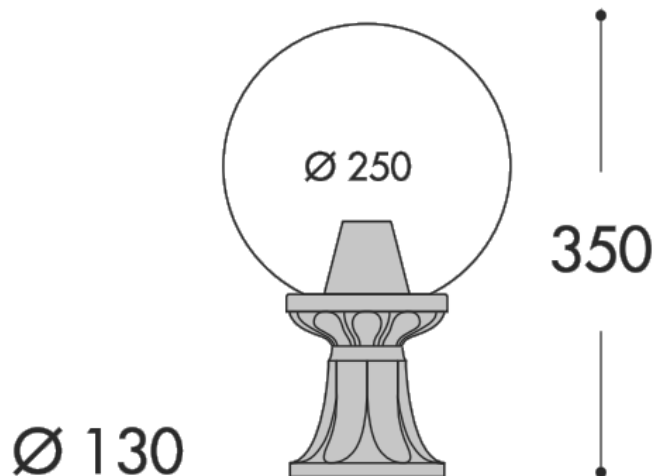
96G250WL/BL




96G250P/BL




96G250MF/BL



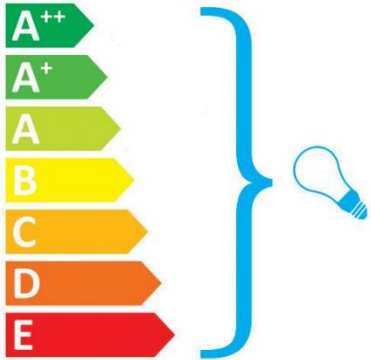
ADDITIONAL INFORMATION »




96G250WL/BL



This luminaire is compatible with bulbs of the energy classes:



874/2012



| Catalogue number | Barcode | Packing/Box (pcs) |
|------------------|---------------|-------------------|
| 96G250WL/BL | 8031874086380 | 1/36 |
| 96G250MF/BL | 8031874086106 | 1/36 |
| 96G250P/BL | 8031874086243 | 1/36 |

